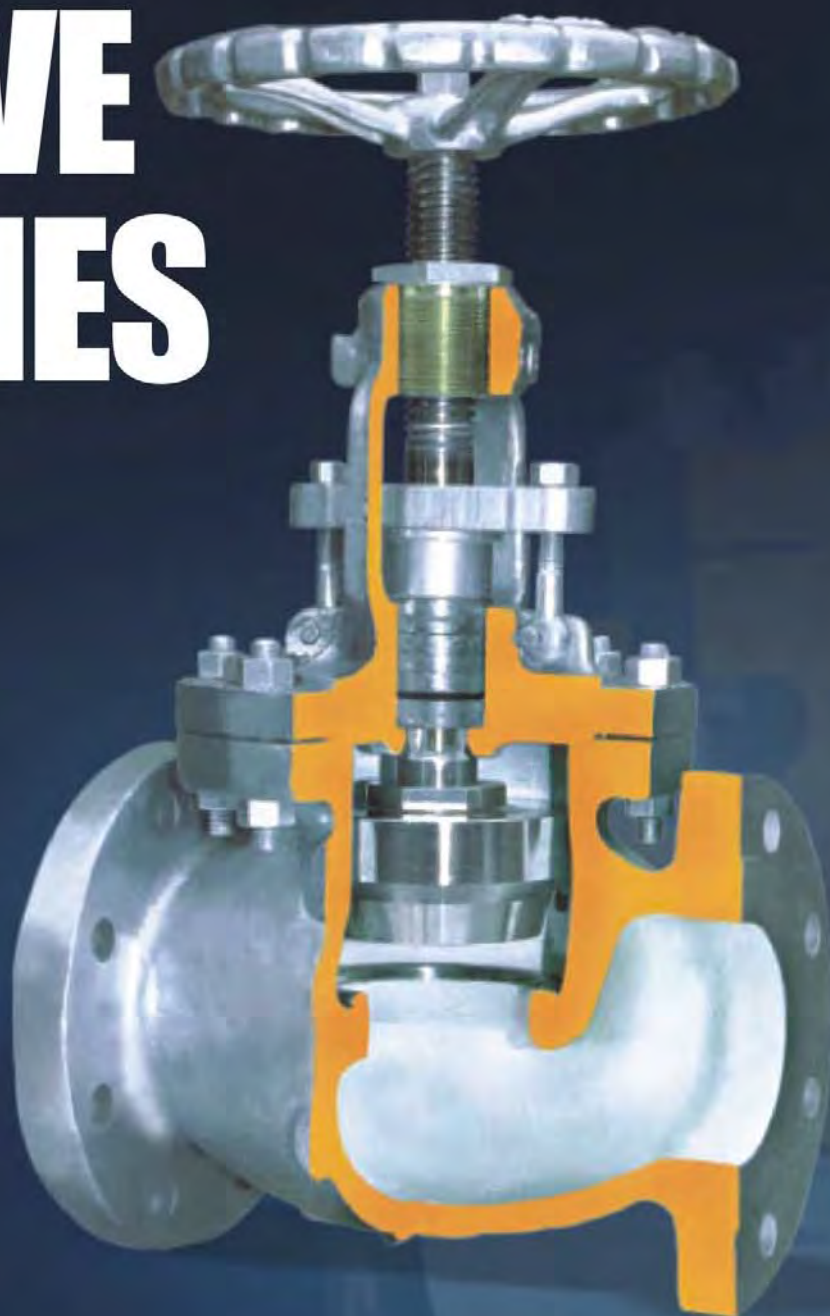


GLOBE VALVE SERIES



Impactor Handwheel, the mechanism is based on transmitting the momentum generated by the mass of the handwheel through the impact/impulse generated during the snap closure action of the handwheel. This type of handwheel is used when a standard handwheel cannot create enough closing force to effect a seal.

Stem Nut replaceable in the line.

Revolving rising stem with precision ACME thread.

Stem Packing is designed for optimum control of fugitive emissions leakage to the atmosphere. The ultra low emission leakage rate is assured by the fine finish in the stem, the reduced diametrical clearances and the stem straightness control.

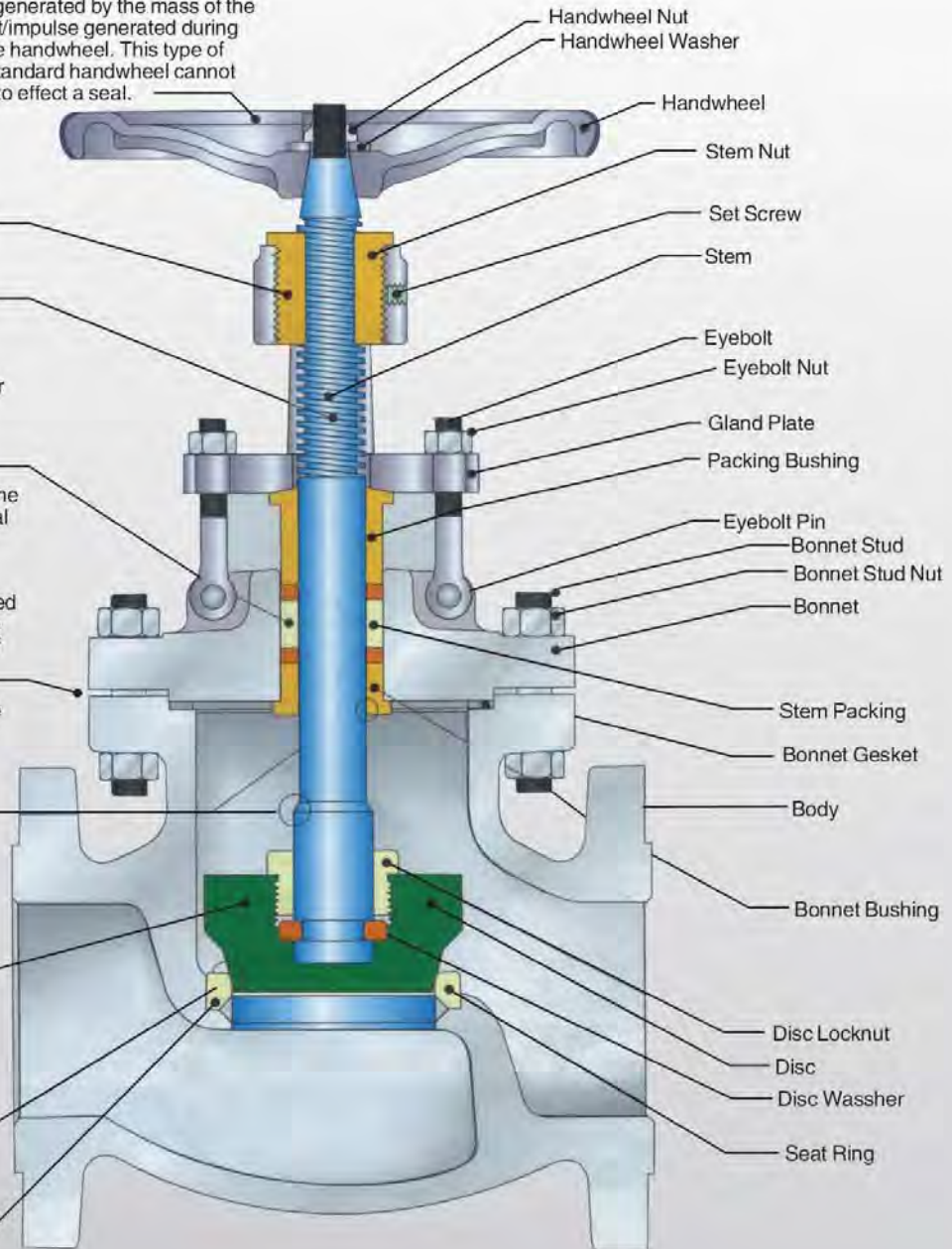
Body to Bonnet Joint designed to apply a uniform load to the gasket to assure a leak proof seal.

Backseat designed to relieve back pressure on the stem packing when fully seated. Replacing stem packing under pressure is not recommended.

Conical Disc, integrally guided to assure true alignment between disc and valve body. The loose disc design allows the disc and seat ring sealing surface to seat correctly without damage.

Stellite Seat Ring, providing increased resistance to wear, abrasion and erosion of the sealing surface.

Seat ring is seal welded to provide a bubble tight joint.



截止阀系列 GLOBE VALVE SERIES



碳钢截止阀 CARBON STEEL GLOBE VALVE

150LB/300LB/600LB/900LB/1500LB

技术标准 Technical Standard:

设计标准 Design STD.: BS1873, ASME/ANSI B16.34

结构长度 Face To Face: ASME/ANSI B16.10

法兰连接 Flange End Connection: ASME/ANSI B16.5

对焊连接 Welded End Connection: ASME/ANSI B16.25

检验和测试 Inspection And Test: API598

产品说明 Design description:

T型设计 T pattern body design

明杆带支架 OS & Y, outside screw and yoke

栓盖结构 BB, bolted bonnet

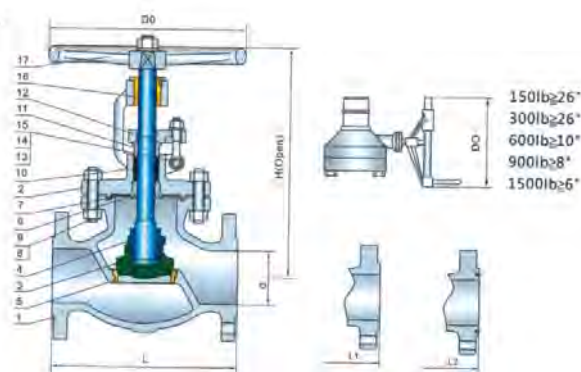
明杆 Rising stem and handwheel

旋塞阀瓣 Plug disc

序号 No	部件名称 Part Name	材料 ASTM Material					
		碳钢 Carbon Steel	高温钢 High TEMP Material	低温钢 Low TEMP Material	不锈钢 Stainless steel	不锈钢 Stainless steel	双相钢 Duplex SS
1	阀体Body	A216-WCB	A217-WC6	A352-LCB	A351-CF8	A351-CF8M	A890-GR 4A
2	阀盖Bonnet	A216-WCB	A217-WC6	A352-LCB	A351-CF8	A351-CF8M	A890-GR 4A
3	阀瓣Disc	A105+CR13	A182-F11	A352-LF2+CR13	A182-F304	A182-F316	A182-F51
4	阀杆Stem	A182-F6a	A182-F11	A182-F6a	A182-F304	A182-F316	A182-F51
5	阀座Seat Ring	A105+CR13 ¹⁾	A182-F11+HF ²⁾	A352-LF2+CR13 ¹⁾	A182-304+HF ²⁾	A182-316+HF ²⁾	A182-F51 ³⁾
6	上密封座Upper Seat Ring	A276-420	A276-304	A276-420	A276-304	A276-316	A182-F51
7	中道垫Spiral Gasket	Spiral Wound(Graphite+304) or 304 SS Ring ¹⁾			304+Graphite or 304 SS Ring ¹⁾	316+Graphite or 316 SS Ring ¹⁾	321+Graphite or F51 Ring ¹⁾
8	中道螺栓Bonnet Stud	A193-B7	A193-B16	A320-L7	A193-B8	A193-B8M	A320-L7M+ 锌Zn
9	中道螺母Bonnet Nut	A194-2H	A194-4	A194-4	A194-8	A194-8M	A194-7M+ 锌Zn
10	填料Packing	石墨 Graphite					
11	压套Gland	A276-420	A276-304	A276-420	A276-304	A276-316	A276-321
12	填料压板Gland Flange	A216-WCB	A217-WC6	A352-LCB	A351-CF8	A351-CF8M	A890-GR 4A
13	横销Eyebolt Pin	碳钢Carbon Steel	不锈钢 SS	碳钢Carbon Steel	不锈钢 SS	不锈钢 SS	不锈钢 SS
14	活节螺栓Eyebolt	碳钢Carbon Steel	不锈钢 SS	碳钢Carbon Steel	不锈钢 SS	不锈钢 SS	不锈钢 SS
15	活节螺母Eyebolt Nut	碳钢Carbon Steel	不锈钢 SS	碳钢Carbon Steel	不锈钢 SS	不锈钢 SS	不锈钢 SS
16	阀杆螺母Stem Nut	铜或高镍球墨铸铁 Brass or D2 ²⁾					
17	手轮Handwheel	马钢 Malleable Iron					

备注 NOTE:

- 150lb-600lb使用缠绕垫片, 600lb-1500lb使用金属环垫。
150lb-600lb Spiral Wound Gasket, 600lb-1500lb Ring Gasket.
- 铜或高镍球墨铸铁, 可根据要求选配。
Brass or D2 material stem nut according to request.
- 碳钢类2"-6"可供应螺纹连接或者焊接可更换阀座。
Carbon steel 2"-6" seat ring can supply threaded renewable type or welded renewable type.
碳钢类8"及以上供应焊接可更换阀座。
Carbon steel 8" and up size seat ring supply with welded renewable type.
不锈钢类全部为体阀座。
Stainless steel valves all supply with body seat.



截止阀系列 GLOBE VALVE SERIES



碳钢截止阀 CARBON STEEL GLOBE VALVE

150LB / 300LB / 600LB / 900LB

技术参数 DIMENSIONS DATA

英寸NPS 口径 DN	2 50	2-1/2 65	3 80	4 100	6 150	8 200	10 250	12 300	14 350	16 400	18 450	20 500	24 600	in mm
ANSI Class 150lb														
L1 (RF/BW)	8 203	8.5 216	9.5 241	11.5 292	16 406	19.5 495	24.5 622	27.5 698	31 787	36 914	38.46 977	38.46 977	50.98 1295	in mm
L2 (RTJ)	8.5 216	9 229	10 254	12 305	16.5 419	20 508	25 635	28 711	31.5 800	36.5 927	-	-	-	in mm
H (OPEN)	15 380	21 535	17.5 445	20.25 515	22 560	24.25 615	32 815	35.88 910	48.38 1230	57 1450	41.96 1066	43.97 1117	50.98 1295	in mm
(d)	51	64	76	102	152	203	254	305	337	387	438	489	591	mm
DO	8 200	12 250	12 250	11 280	14 350	18 450	22 550	24 600	24 600	28 700	28 700	28 700	34 850	in mm
WT (kg)	17 14	25 19	33 26	52 42	89 71	146 117	340 272	485 362	550 491	724 650	1400 1250	2600 2300	3700 3250	RF/RTJ BW
英寸NPS 口径 DN	2 50	2-1/2 65	3 80	4 100	6 150	8 200	10 250	12 300	14 350	16 400	18 450	20 500	24 600	in mm
ANSI Class 300lb														
L1 (RF/BW)	10.5 267	11.5 292	12.5 318	14 356	17.5 444	22 559	24.5 622	28 711	33 838	34 864	38.5 978	40 1016	53 1346	in mm
L2 (RTJ)	11.12 282	12.12 308	13.12 333	14.62 371	18.12 460	22.62 575	26.12 638	28.62 727	-	-	-	-	-	in mm
H (OPEN)	16.75 425	19 485	19.88 505	22.5 570	25.25 640	33.25 845	35.5 900	38.62 980	-	53.97 1371	58 1473	62 1574	71 1803	in mm
(d)	51	64	76	102	152	203	254	305	337	387	438	489	591	mm
DO	8 200	8 200	10 250	11 280	14 350	18 450	20 500	24 600	34 850	24 610	24 610	28 720	28 720	in mm
WT (kg)	31 25	40 31	54 40	80 61	125 104	173 137	297 213	500 432	724 632	1125 975	1650 1450	2700 2400	3650 3200	RF/RTJ BW
英寸NPS 口径 DN	2 50	2-1/2 65	3 80	4 100	6 150	8 200	10 250	12 300	in mm					
ANSI Class 600lb														
L1 (RF/BW)	11.5 292	13 330	14 356	17 432	22 559	26 660	31 787	33 838	in mm					
L2 (RTJ)	11.62 295	13.12 333	14.12 359	17.12 435	22.12 562	26.12 664	31.12 791	33.12 841	in mm					
H (OPEN)	17.5 445	19.75 502	21 533	24.5 622	29.5 750	36.5 927	44.88 1140	53.12 1350	in mm					
(d)	51	64	76	102	152	200	248	298	mm					
DO	10 250	12 300	14 350	16 400	18 450	20 500	24 610	24 600	in mm					
WT (kg)	37 30	50 40	62 58	150 132	294 227	543 460	1006 729	1350 1060	RF/RTJ BW					
英寸NPS 口径 DN	2 50	2-1/2 65	3 80	4 100	6 150	8 200	10 250	12 300	in mm					
ANSI Class 900lb														
L1 (RF/BW)	14.5 368	16.5 419	15 381	18 457	24 610	29 737	33 838	-	in mm					
L2 (RTJ)	14.62 371	16.62 422	15.12 384	18.12 460	24.12 613	29.12 740	33.12 841	-	in mm					
H (OPEN)	22 560	23.25 590	25.25 640	31.88 810	41.38 1050	53.5 1360	61.88 1570	-	in mm					
(d)	51	64	76	102	152	200	248	-	mm					
DO	14 350	14 350	16 400	18 450	20 500	24 600	24 600	-	in mm					
WT (kg)	95 75	138 85	140 112	197 158	435 360	720 597	1070 890	-	RF/RTJ BW					