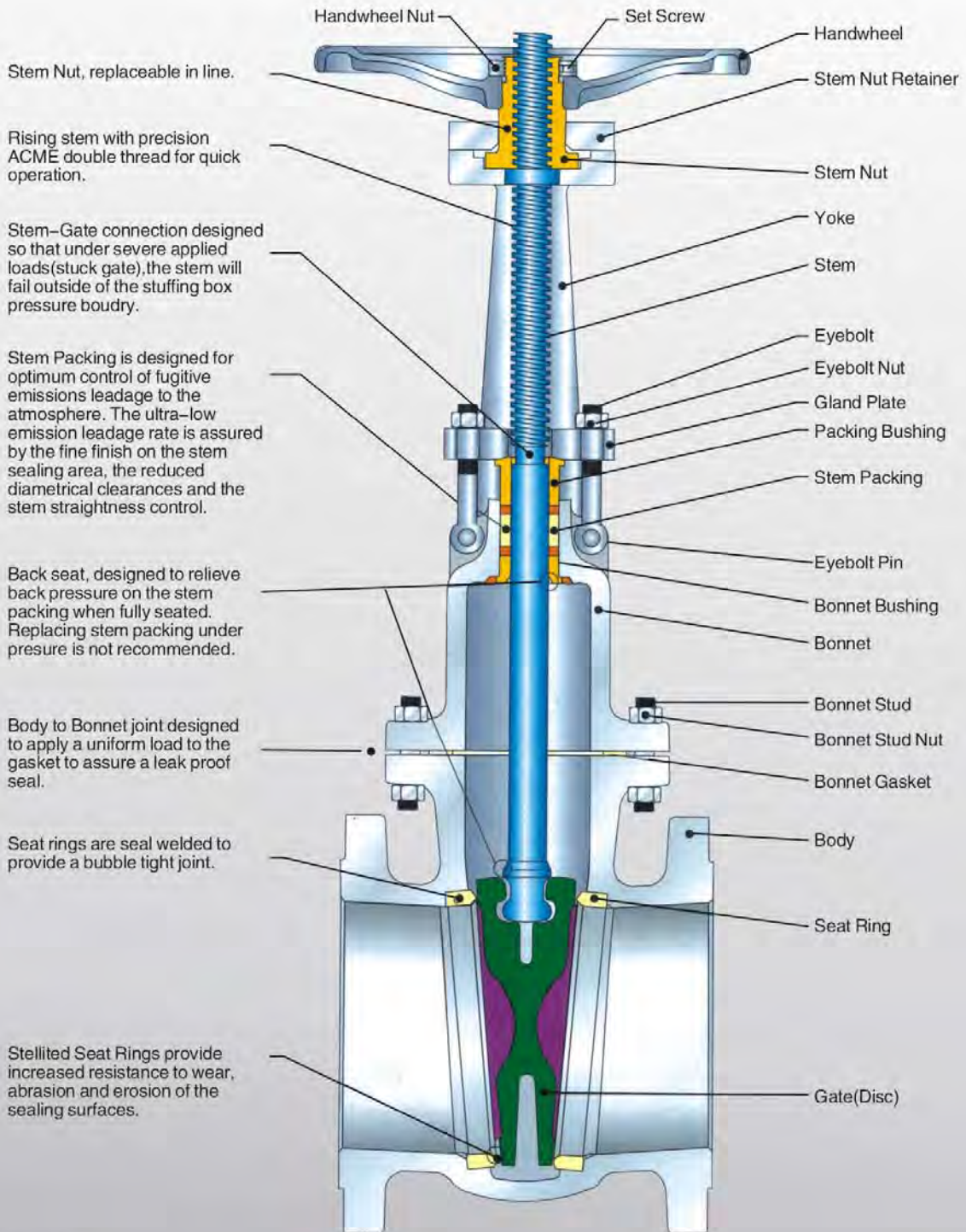


GATE VALVE SERIES





铸钢闸阀 CAST STEEL GATE VALVE

150LB/300LB/600LB/900LB/1500LB

技术标准 Technical Standard:
设计标准 Design STD.: API600, BS1414, ASME/ANSI B16.34
结构长度 Face To Face: ASME/ANSI B16.10
法兰连接 Flange End Connection: ASME/ANSI B16.5
对焊连接 Welded End Connection: ASME/ANSI B16.25
检验和测试 Inspection And Test: API598

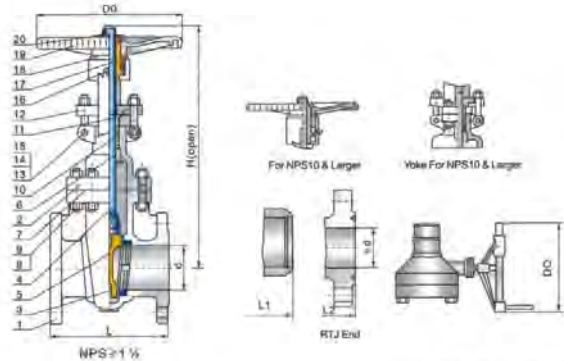
产品说明 Design description:

全开设计 Full port design
明杆 Rising stem and non-rising handwheel
明杆带支架 OS & Y, outside screw and yoke
栓盖结构 BB, bolted bonnet
弹性闸板 Flexible wedge, fully guided
T型锻压阀杆 Forged T-head stem

序号 No	部件名称 Part Name	材料 ASTM Material					
		碳钢 Carbon Steel	高温钢 High TEMP. Material	低温钢 Low TEMP. Material	不锈钢 Stainless Steel	不锈钢 Stainless Steel	双相钢 Duplex SS
1	阀体Body	A216-WCB	A217-WC6	A352-LCB	A351-CF8	A351-CF8M	A890-GR 4A
2	阀盖Bonnet	A216-WCB	A217-WC6	A352-LCB	A351-CF8	A351-CF8M	A890-GR 4A
3	闸板Wedge	A216-WC3+CR13	A217-WC6	A352-LCB+CR13	A351-CF8	A351-CF8M	A890-GR 4A
4	阀杆Stem	A182-F6a	A182-F11	A182-F6a	A182-F304	A182-F316	A182-F51
5	阀座Seat Ring	A105+CR13 ¹⁾	A182-F11+HF ²⁾	A360-LF2+CR13 ³⁾	A182-304+HF ²⁾	A182-316+HF ²⁾	A182-F51 ⁴⁾
6	上密封座Upper Seat Ring	A276-420	A276-304	A276-420	A276-304	A276-316	A276-F51
7	中道垫Spiral Gasket	Spiral Wound(Graphite+304) or 304 SS Ring ¹⁾			304+Graphite of 304 SS Ring	316+Graphite of 316 SS Ring ¹⁾	321+Graphite or F51 Ring
8	中道螺栓Stem Nut	A193-B7	A193-B16	A320-L7	A193-B8	A193-B8M	A320-L7M+锌Zn
9	中道螺母Stem Nut	A194-2H	A194-4	A194-4	A194-B	A194-8M	A194-7M+锌Zn
10	填料Packing	石墨 Graphite					
11	压套Gland	A276-420	A276-304	A276-420	A276-304	A276-316	A276-321
12	填料压板Gland Flange	A216-WCB	A217-WC6	A352-LCB	A351-CF8	A351-CF8M	A890-GR 4A
13	横销Eyebolt Pin	碳钢Carbon Steel	不锈钢 SS	碳钢Carbon Steel	不锈钢 SS	不锈钢 SS	不锈钢 SS
14	活节螺栓Eyebolt	碳钢Carbon Steel	不锈钢 SS	碳钢Carbon Steel	不锈钢 SS	不锈钢 SS	不锈钢 SS
15	活节螺母Eyebolt Nut	碳钢Carbon Steel	不锈钢 SS	碳钢Carbon Steel	不锈钢 SS	不锈钢 SS	不锈钢 SS
16	油杯Grease Fitting	铜 Brass+Steel					
17	阀杆螺母 Stem Nut	铜或高镍球墨铸铁 Brass or D2 ²⁾					
18	锁紧螺母 Locking Nut	碳钢 Carbon Steel					
19	手轮 Handwheel	马钢 Malleable Iron					
20	并帽 Handwheel Nut	碳钢 Carbon Steel					

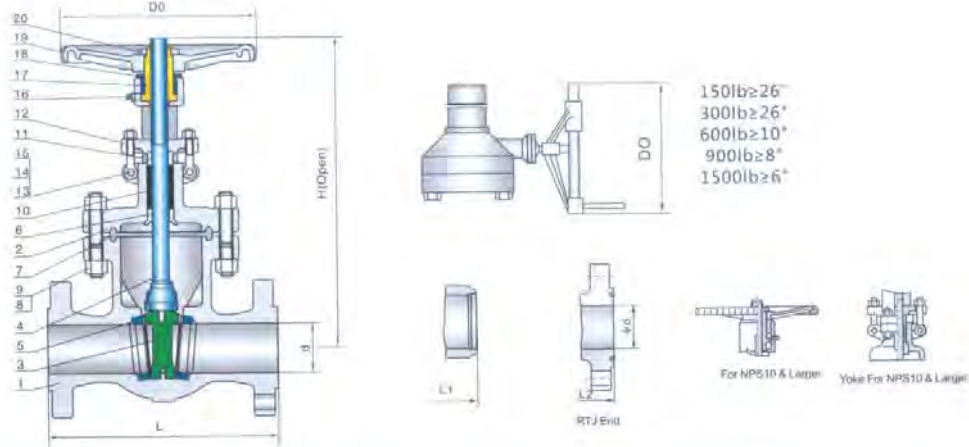
备注 NOTE:

- 150lb-600lb 使用缠绕垫片, 600lb-1500lb使用金属环垫。
150lb-600lb Spiral Wound Gasket, 600lb-1500lb Ring Gasket.
- 铜或高镍球墨铸铁, 可根据要求选配。
Brass or D2 material stem nut according to request.
- 碳钢类2"-6" 可供应螺纹连接或者焊接可更换阀座。
Carbon steel 2"-6" seat ring can supply threaded renewable type or welded renewable type.
碳钢类8" 及以上供应焊接可更换阀座。
Carbon steel 8" and up size seat ring supply with welded renewable type.
不锈钢类全部为整体阀座。
Stainless steel valves all supply with body seat.



铸钢闸阀 CAST STEEL GATE VALVE

150LB/300LB/600LB/900LB/1500LB



技术参数 DIMENSIONS DATA

英寸NPS 口径DN	2 50	2-1/2 65	3 80	4 100	6 150	8 200	10 250	12 300	14 350	16 400	18 450	20 500	24 600	26 650	28 700	30 750	32 800	36 900	40 1000	42 1050	48 1200	in mm
ANSI Class 150lb																						
L (RF)	7	7.5	8	9	10.5	11.5	13	14	15	16	17	18	20	22	24	24	28	28	32	32	42	in
L1 (BW)	8.5	9.5	11.12	12	15.88	16.5	18	19.75	22.5	24	26	28	32	34	36	36	38	40	42	43	46	in
L2 (RTJ)	7.48	7.99	8.5	9.48	10.98	12	13.5	14.48	16.51	16.49	17.51	18.5	20.51	-	-	24.48	-	28.5	-	-	-	in
H (OPEN)	15.15	17	18.88	23	30.5	37.62	45.5	53.12	59.38	67	74.5	83.5	98.25	110.5	116.5	124	129	146.5	157	190	233	in
(d)	51	64	76	102	152	203	254	305	337	387	438	489	591	641	692	743	781	876	-	-	-	mm
DO	8	8	10	12	14	16	18	20	22	24	27	24	24	24	24	24	24	24	24	24	24	in
WT (kg)	17	22	29	46	79	116	178	276	349	471	612	777	1124	1570	1900	2540	2958	3380	4815	5300	7110	RF/RTJ BW
扭矩Torque	13	13	15	27	36	63	84	131	151	235	285	341	602	-	-	1079	-	1497	-	-	-	N.m

英寸NPS 口径DN	2 50	2-1/2 65	3 80	4 100	6 150	8 200	10 250	12 300	14 350	16 400	18 450	20 500	24 600	26 650	28 700	30 750	32 800	36 900	40 1000	42 1050	48 1200	in mm
ANSI Class 300lb																						
L/L1 (RF/BW)	8.5	9.5	11.12	12	15.88	16.5	18	19.75	30	33	36	39	45	49	53	55	60	68	76	78	88	in
L2 (RTJ)	9.12	10.12	11.75	12.62	16.5	17.12	18.62	20.38	30.62	33.62	36.62	39.75	45.88	50.00	54.00	56.00	61.12	69.12	-	-	-	in
H (OPEN)	16.12	17.88	20	24	31.75	59.38	47.62	55.75	62.25	67.88	77.12	86.38	102	117	123	126	145	162	179	187	212	in
(d)	51	64	76	102	152	203	254	305	337	387	438	489	591	641	692	743	781	876	-	-	-	mm
DO	8	8	10	10	14	16	18	20	22	22	24	24	24	24	24	24	32	40	40	40	40	in
WT (kg)	24	33	45	66	131	201	329	510	743	910	1219	1750	2600	3090	3312	3597	4850	6850	8460	9500	12400	RF/RTJ BW
扭矩Torque	16	18	21	42	86	128	215	289	423	537	649	1009	1451	-	-	3140	-	4239	-	-	-	N.m

闸阀系列 GATE VALVE SERIES



铸钢闸阀 CAST STEEL GATE VALVE

150LB/300LB/600LB/900LB/1500LB

技术参数 DIMENSIONS DATA

英寸NPS 口径 DN	2 50	2-1/2 65	3 80	4 100	6 150	8 200	10 250	12 300	14 350	16 400	18 450	20 500	24 600	26 650	28 700	30 750	32 800	36 900	40 1000	42 1050	48 1200	in mm
ANSI Class 600lb																						
L/L1 (RF/BW)	11.5 292	13 330	14 356	17 432	22 559	26 660	31 787	33 838	35 889	39 991	43 1092	47 1194	55 1397	57 1448	61 1549	65 1651	70 1778	82 2082	90 2286	96 2438	100 2540	in mm
L2 (RTJ)	11.62 295	13.12 333	14.12 359	17.12 435	22.12 562	26.12 664	31.12 791	33.12 841	35.12 892	39.12 994	43.12 1095	47.25 1200	55.38 1407	57.50 1461	61.50 1562	65.50 1664	70.62 1794	82.62 2099	-	-	-	in mm
H (OPEN)	16.5 418	18.75 476	20.38 518	25.5 646	33 840	40.38 1025	48.38 1230	57 1450	62 1575	70.62 1795	76 1930	87 2210	102 2582	124 3150	133 3362	140 3549	150 3811	168 4260	184 4670	194 4921	231 5876	in mm
(d)	51	64	76	102	152	200	248	298	327	375	419	464	559	603	648	695	781	876	-	-	-	mm
DO	8 220	10 250	10 250	12 300	18 450	20 500	24 600	27 680	24 600	24 610	24 610	24 610	24 610	32 810	40 1000	40 1000	40 1000	40 1000	40 1000	42 1200	42 1200	in mm
WT (kg)	36 29	52 42	67 53	120 84	273 204	402 337	610 548	902 905	1245 974	1530 1345	2030 1730	2735 2415	3620 3017	5220 4295	6050 4980	6945 5710	8312 6834	10000 8220	14300 11755	16460 13530	22900 18824	RF/RTJ BW
扭矩 Torque	23	-	50	68	183	270	479	650	988	1243	1512	2185	3053	-	-	5452	-	7675	-	-	-	N.m

英寸NPS 口径 DN	2 50	3 80	4 100	6 150	8 200	10 250	12 300	14 350	16 400	18 450	20 500	24 600	in mm
ANSI Class 900lb													
L/L1 (RF/BW)	14.5 368	15 381	18 457	24 610	29 737	33 838	38 965	40.5 1029	44.5 1130	48 1219	52 1321	61 1549	in mm
L2 (RTJ)	14.62 371	15.12 384	18.12 460	24.12 613	29.12 740	33.12 841	38.12 968	40.88 1038	44.88 1140	48.5 1232	52.5 1334	61.75 1568	in mm
H (OPEN)	19.62 498	22.5 573	26.62 678	35.5 900	43.5 1103	53 1345	60 1525	74.68 1900	81 2055	87 2215	101 2565	104 2640	in mm
(d)	47	70	98	146	190	234	282	311	354	400	444	533	mm
DO	12 300	14 350	18 450	20 500	24 600	24 610	24 610	24 610	24 610	32 810	40 1000	40 1000	in mm
WT (kg)	74 54	101 78	172 135	335 260	640 515	1100 920	1600 1380	2250 2010	2850 2565	3870 3300	4860 4050	6100 6120	RF/RTJ BW
扭矩 Torque	39	56	64	118	243	427	783	1163	1331	-	-	-	N.m

英寸NPS 口径 DN	2 50	3 80	4 100	6 150	8 200	10 250	12 300	14 350	16 400	18 450	20 500	24 600	in mm
ANSI Class 1500lb													
L/L1 (RF/BW)	14.5 368	18.5 470	21.5 546	27.75 705	32.75 832	39 991	44.5 1130	49.5 1257	54.5 1384	60.5 1537	65.5 1664	76.5 1943	in mm
L2 (RTJ)	14.6 371	18.62 473	21.62 549	28 711	33.12 841	39.38 1000	45.12 1146	50.25 1276	55.38 1407	61.4 1559	66.4 1686	77.6 1972	in mm
H (OPEN)	24.25 615	30 760	34.12 868	39.5 1005	45 1145	54 1370	64.3 1633	70.8 1798	77.3 1963	111 2812	121 3078	140.5 3570	in mm
(d)	47	70	92	136	174	222	263	289	330	371	415	498	mm
DO	12 300	18 450	20 500	24 600	24 600	24 610	24 610	24 610	24 610	40 1000	40 1000	40 1000	in mm
WT (kg)	116 105	209 188	296 265	510 412	920 760	1910 1640	3145 2755	4100 3200	6200 5300	8965 8070	13100 11790	16860 14275	RF/RTJ BW
扭矩 Torque	39	56	64	118	243	427	783	1163	1331	-	-	-	N.m

压力自密封闸阀系列 PRESSURE SEAL GATE VALVE SERIES



压力自密封闸阀 PRESSURE SEAL GATE VALVE

900LB / 1500LB/2500LB

技术标准 Technical Standard:

设计标准 Design STD.: API600,BS1414,ASME/ANSI B16.34

结构长度 Face To Face: ASME/ANSI B16.10

法兰连接 Flange End Connection: ASME/ANSI B16.5

对焊连接 Welded End Connection: ASME/ANSI B16.25

检验和测试 Inspection And Test: API598

产品说明 Design description:

全开设计 Full port design

明杆 Rising stem and non-rising handwheel

明杆带支架 OS & Y, outside screw and yoke

自密封结构 PSB,pressure seal bonnet

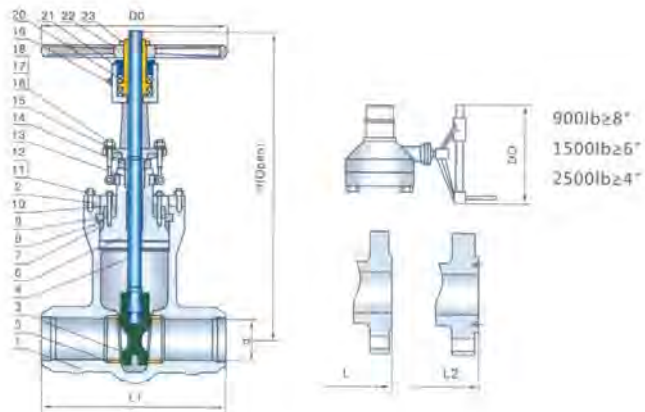
弹性闸板 Flexible wedge,fully guided

T型锻压阀杆 Forged T-head stem

序号 No.	部件名称 Part Name	材料 ASTM Material					
		碳钢 Carbon Steel	高温钢 High TEMP Material	低温钢 Low TEMP Material	不锈钢 Stainless steel	不锈钢 Stainless steel	双相钢 Duplex SS
1	阀体Body	A216-WCB	A217-WC6	A352-LCB	A351-CF8	A351-CF8M	A890-GR 4A
2	支架 Yoke	A216-WCB	A217-WC6	A352-LCB	A351-CF8	A351-CF8M	A890-GR 4A
3	闸板 Wedge	A216-WCB+HF	A217-WC6+HF	A352-LCB+HF	A351-CF8+HF	A351-CF8M+HF	A890-GR 4A
4	阀杆 Stem	A182-F6a	A182-F11	A182-F6a	A182-F304	A182-F316	A182-F51
5	阀座 Seat Ring	A105+HF ²	A182-F11+HF ²	A350-LF2+HF ³	A182-304+HF ²	A182-316+HF ²	A182-F51 ²
6	阀盖 Bonnet	A105	A182-F11	A350-LF2	A240-304	A240-316	A276-F51
7	中道垫 Bonnet Gasket	304SS Ring	304SS Ring	304SS Ring	304SS Ring	316SS Ring	F51 DSS Ring
8	压环 Adater Ring	碳钢 Carbon Steel	A276-420	碳钢 Carbon steel	A276-304	A276-316	A276-321
9	四开环 Retainer	碳钢 Carbon Steel	A276-420	碳钢 Carbon steel	A276-304	A276-316	A276-321
10	压板 Yake Cap	碳钢 Carbon Steel	合金钢 Alloy Steel	碳钢 Carbon steel	不锈钢 SS	不锈钢 SS	不锈钢 SS
11	中道螺栓 Bonnet Stud	A193-B7	A193-B16	A320-L7	A193-B8	A193-B8M	A194-7M+锌Zn
12	中道螺母 Bonnet Nut	A194-2H	A194-4	A194-4	A194-8	A194-8M	A194-7M+锌Zn
13	填料 Packing	石墨 Graphite					
14	压套 Gland	A276-420	A276-304	A276-420	A276-304	A276-316	A276-321
15	填料压板 Gland Flange	A216-WCB	A217-WC6	A352-LCB	A351-CF8	A351-CF8M	A890-GR 4A
16	横销 Eyebolt Pin	碳钢 Carbon Steel	不锈钢 SS	碳钢 Carbon steel	不锈钢 SS	不锈钢 SS	不锈钢 SS
17	活节螺栓 Eyebolt	碳钢 Carbon Steel	不锈钢 SS	碳钢 Carbon steel	不锈钢 SS	不锈钢 SS	不锈钢 SS
18	活节螺母 Eyebolt Nut	碳钢 Carbon Steel	不锈钢 SS	碳钢 Carbon steel	不锈钢 SS	不锈钢 SS	不锈钢 SS
19	油杯 Grease Fitting	铜 Brass+Steel					
20	阀杆螺母 Stem Nut	铜或高镍球墨铸铁 Brass or D2 ²					
21	锁紧螺母 Locking Nut	碳钢 Carbon Steel					
22	手轮 Handwheel	马钢 Malleable Iron					
23	并帽 Handwheel Nut	碳钢 Carbon Steel					

备注 NOTE:

- 铜或高镍球墨铸铁，可根据要求选配。
Brass or D2 material stem nut according to request.
- 碳钢类供焊接可更换阀座。
Carbon steel valves seat ring supply with welded renewable type.
- 不锈钢类全部为本体阀座。
Stainless steel valves all supply with body seat.



压力自密封闸阀 PRESSURE SEAL GATE VALVE

900LB / 1500LB/2500LB

技术参数 DIMENSIONS DATA

英寸NPS 口径 DN	2 50	2-1/2 65	3 80	4 100	6 150	8 200	10 250	12 300	14 350	16 400	18 450	20 500	24 600	26 650	28 700	32 800	36 900	in mm
ANSI Class 900lb																		
L1 (BW)	8.5 216	10 254	12 305	14 356	20 508	26 660	31 787	36 914	39 991	43 1092	48 1219	52 1321	61 1549	62 1574	65.47 1663	70 1778	80 2032	in mm
L (RF)	14.5 368	16.5 419	15 381	18 457	24 610	29 737	33 838	38 965	40.5 1029	44.5 1130	48 1219	52 1321	61 1549	62 1574	65.47 1663	70 1778	80 2032	in mm
L2 (RTJ)	14.62 371	16.62 422	15.12 384	18.12 460	24.12 613	29.12 740	33.12 841	38.12 968	40.88 1038	44.88 1140	48.5 1232	52.51 1334	61.73 1568	- -	- -	- -	- -	in mm
H (OPEN)	17.62 448	17.62 448	19.5 495	22.88 580	32.62 830	67.62 955	45.5 1155	53.12 1350	59 1500	70.5 1790	93.74 2381	96.49 2451	116.96 2971	131.96 3352	145.47 3695	157.48 4000	181 4597	in mm
DO	14 350	14 350	14 350	14 350	18 450	28 700	34 850	34 850	34 850	30 760	30 760	35.43 900	35.43 900	35.43 900	35.43 900	35.43 900	35.43 900	in mm
WT (kg)	63 42	99 67	107 70	158 108	294 194	693 520	1008 772	1418 1103	1785 1470	2520 2048	3320 2730	4400 3685	6770 5430	- 6370	- 7385	- 9500	- 16000	RF/RTJ BW

英寸NPS 口径 DN	2 50	2-1/2 65	3 80	4 100	6 150	8 200	10 250	12 300	14 350	16 400	18 450	20 500	24 600	26 650	28 700	32 800	36 900	in mm
ANSI Class 1500lb																		
L1 (BW)	8.5 216	10 254	12 305	16 406	22 559	28 711	34 864	39 991	42 1067	47 1194	53 1346	58 1473	76.49 1943	80 2033	86.96 2209	90 2286	101 2565	in mm
L (RF)	14.5 368	16.5 419	18.5 470	21.5 546	27.75 705	32.75 832	39 991	44.5 1130	49.5 1257	54.5 1384	60.51 1537	65.51 1664	76.49 1943	80 2033	86.96 2209	90 2286	101 2565	in mm
L2 (RTJ)	14.62 371	16.62 422	18.62 473	21.62 549	28 711	33.12 841	39.38 1000	45.12 1146	50.25 1276	55.38 1407	61.37 1559	66.37 1686	77.63 1972	- -	- -	- -	- -	in mm
H (OPEN)	17.62 448	17.62 448	21.62 550	25.25 640	33.5 850	38.62 980	46.5 1180	62.25 1580	70.5 1790	78 1980	86.96 2209	93.97 2387	110 2794	121.96 3098	133.97 3403	147.48 3746	172.99 4375	in mm
DO	14 350	14 350	14 350	18 450	24 600	28 700	34 850	34 850	34 850	34 850	33.85 860	33.85 860	33.85 860	40.15 1020	40.15 1020	40.15 1020	40.15 1020	in mm
WT (kg)	63 42	99 67	126 87	218 150	504 367	956 718	1481 1071	2184 1523	2741 1890	3780 2888	5960 4630	7370 5720	10610 8240	11920 10235	13410 115000	17820 15525	25495 21735	RF/RTJ BW

英寸NPS 口径 DN	2 50	2-1/2 65	3 80	4 100	6 150	8 200	10 250	12 300	in mm
ANSI Class 2500lb									
L/L1 (RF/BW)	17.75 451	20 508	22.75 578	26.5 673	36 914	40.25 1022	50 1270	56 1422	in mm
L2 (RTJ)	17.88 454	20.5 514	23 584	26.88 683	36.5 927	40.88 1038	50.88 1292	56.88 1445	in mm
H (OPEN)	34.88 631	29 736	35 890	41.5 1055	57 1450	63.38 1610	81.75 2075	89.75 2280	in mm
DO	16 400	18 450	20 500	20 500	24 610	24 610	24 610	24 610	in mm
WT (kg)	155 124	210 160	310 245	580 460	1600 1310	2450 2010	4570 3800	7150 6000	RF/RTJ BW